

2 SERIES HAL

WALLWASH

Our smallest aperture family of pin-hole fixtures offers high-output illumination for high-drama design statements in discerning residential, retail, and hospitality environments.

PROJECT NAME:	TYPE:
---------------	-------

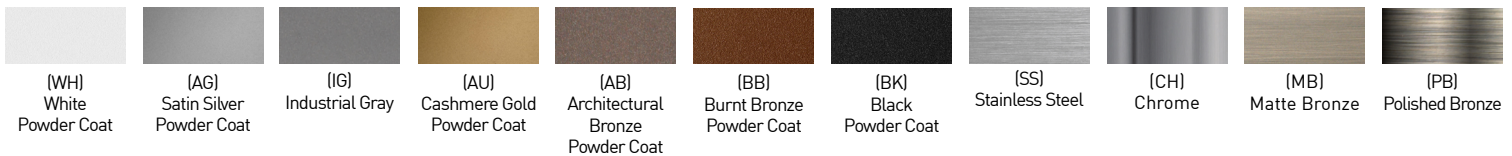


ORDERING INFORMATION



JA8-2019 INDICATED BY SHADING

FITTING	RATING	FLANGE FINISH	INSTALL TYPE	CEILING THICKNESS	POWER SUPPLY	EFFECTS DEVICE	FLANGE CONFIGURATION	WATTAGE RESTRICTION
2RW Round Expanded 2SW Square Expanded	1 Dry / Damp 2 Wet* *(Lens sealed in place)	WH White AG Satin Silver IG Industrial Gray AU Cashmere Gold AB Arch Bronze BB Burnt Bronze BK Black SS Stainless Steel CH Chrome* MB Matte Bronze* PB Polished Bronze* PR Primer CF Custom* *(Consult Factory)	NC NIC* *(37 W Max) IC IC* *(37 W Max) AT IC, Airtight* *(ICCEA, Airtight and Title 24 compliant housing)	1 0.50"-0.75" 2 0.76"-1.25"	Domestic (120V) EZZ ELV/0-10V* *(37W max Halogen, 15W max LED, ships with MR16 socket, TL24 JA8-2019 compliant when used with 7.5W or 9W Vivid Series Soraa lamp) QT2 Q-Tran / Toroid* *(37W max Halogen, 15W max LED, ships with MR16 socket, TL24 JA8-2019 compliant when used with 7.5W or 9W Vivid Series Soraa lamp) RMT Remote* *(37W max Halogen, 15W max LED, ships with MR16 socket, TL24 JA8-2019 compliant when used with 7.5W or 9W Vivid Series Soraa lamp) MVH Mains Voltage Halogen* *(Ships with GU10 socket, power supply not provided)	WL Walwash Lens	F Flange Overlay (No Applique) G Zero Sightline - Gypsum (1/16" Applique)* *(Not available for wet location) P Zero Sightline - Plaster (1/8" Applique)* *(Not available for wet location)	Optional Label WRL** Wattage Restriction Label (** Maximum Wattage) Ex For 9 Watt maximum label, specify "WRL09" Leave blank unless specifying optional configuration



PART NUMBER NOTES

- Trims ships as e.g. 2SW1-WH-HB-1-EZ204
- Housing ships as e.g. NCL-2RF-1-HAL-01
- Transformer ships with trim
- Applique ships with housing

2 SERIES HAL WALLWASH

ACCESSORIES

ROUTER TOOL GUIDE (Dry / Damp locations only)

Recommended for Zero-Sightline installations in wood ceilings.

- DLA-RTG-2S-RD** Tool, router guide, round; reusable
- DLA-RTG-2S-SQ** Tool, router guide, square; reusable

EMERGENCY LIGHTING - REMOTE MOUNT ONLY

During disruption of main power, emergency battery inverter provides temporary 120V or 277V to fixture.

- EMB-S-20/25-120/277-LEDX** 20/25 watt max capacity, 120 or 277 VAC 60Hz, Non-Dimmable
- EMB-S-100-120-LEDX** 100 watt max capacity, 120 VAC 60Hz, Dimmable
- EMB-S-100-277-LEDX** 100 watt max capacity, 277 VAC 60Hz, Dimmable
- EMB-S-250-120/277-LEDX** 250 watt max capacity, 120 or 277 VAC 60Hz, Dimmable

SORAA VIVID SERIES MR-16 LED LAMPS

- S-SM16-07-36D-927-03** 7.5W, 95CRI, 2700K, 36° Flood
- S-SM16-07-36D-930-03** 7.5W, 95CRI, 3000K, 36° Flood



SORAA BRILLIANCE SERIES MR-16 LED LAMPS

- S-SM16-07-36D-827-03** 7.5W, 80CRI, 2700K, 36° Flood
- S-SM16-07-36D-830-03** 7.5W, 80CRI, 3000K, 36° Flood

MR-16 HALOGEN LAMPS

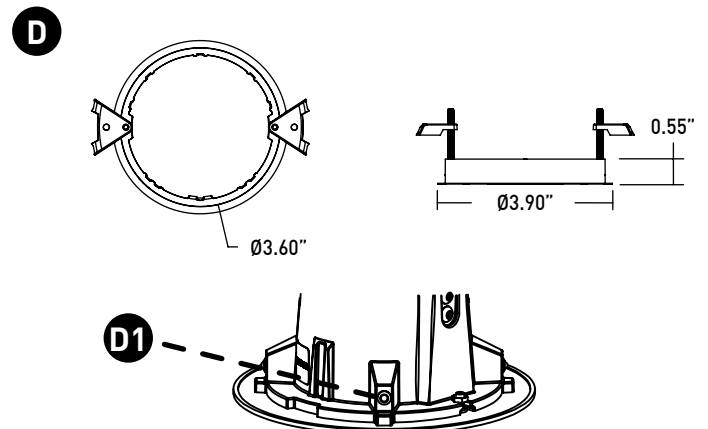
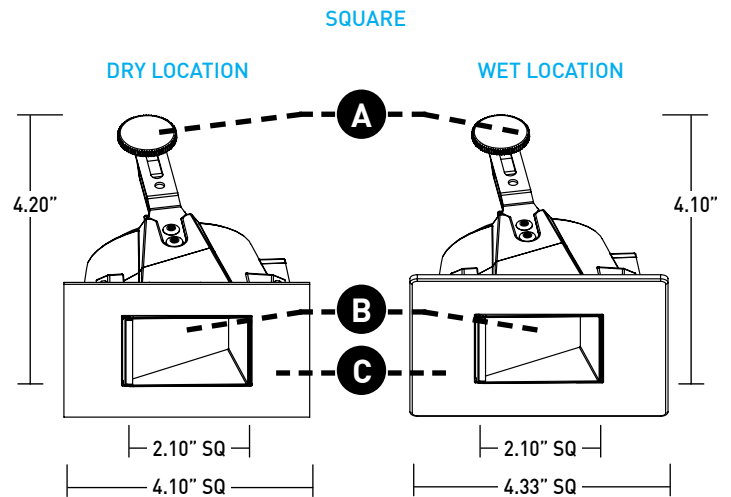
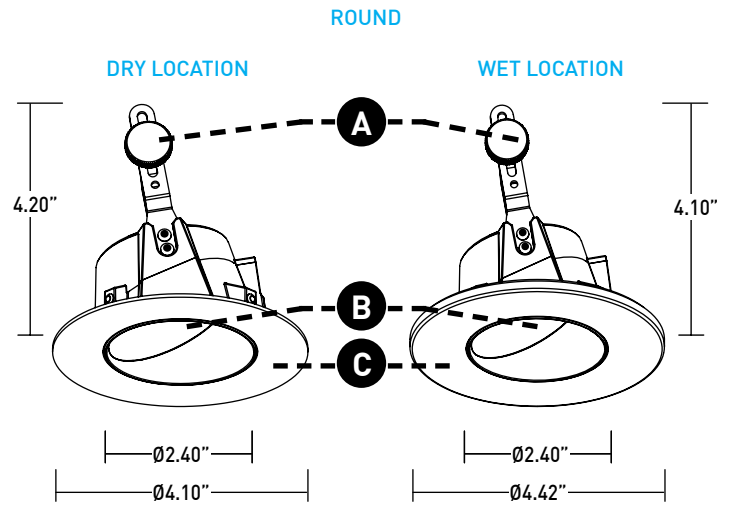
- 12-37-HRIR-FL** 37W IR Halogen 35° Flood

2 SERIES HAL WALLWASH

DOWNLIGHT

Die-cast baffle and precision kick reflector provide dynamic wall grazing and minimal aperture glare.

- A** **ADJUSTABLE YOKE**
Adjustable yoke allows for quick exchange of lamp and effects devices. Accommodates up to 2 effects devices.
- B** **EFFECTS DEVICES**
Wallwasher lens included and sealed in wet location fixture.
- C** **TRIM PLATE**
Wet location features integral silicone gasket.
 - Dry / Damp Location: Thickness measures 0.065"
 - Wet Location: Sealed aperture and integral silicone gasket. 0.15" return, installed as flange overlay only.
- D** **DOWNLIGHT TRIM ADAPTER**
Included with fixture and required for installation. Uses (2) #6-32 flat-head screws with varying lengths to accommodate ceiling depth. Installed after ceiling is complete. Requires 3.75" cutout for flange overlay applications.
- D1** **RETENTION**
Engineered integral ball plungers correspond to trim adaptor ensuring snug fit against finished ceiling.



2 SERIES HAL WALLWASH

HOUSING

- E NO INSULATION CONTACT (NON-IC) HOUSING**
 - Included with NC install types.
 - Minimum 0.50" setback from combustible and non-combustible materials on all sides and top of housing.
 - Minimum 3.00" setback from insulation material having max R-Value 30 on all sides and top of housing.
 - Minimum 6.00" setback from polycell spray foam insulation having max R-Value 60.
- F INSULATION CONTACT (IC) HOUSING**
 - Included with AT and IC install types
 - No setback from polycell spray foam insulation having max R-Value of 60 on all sides and top of IC housing.

HOUSING / MOUNTING NOTES

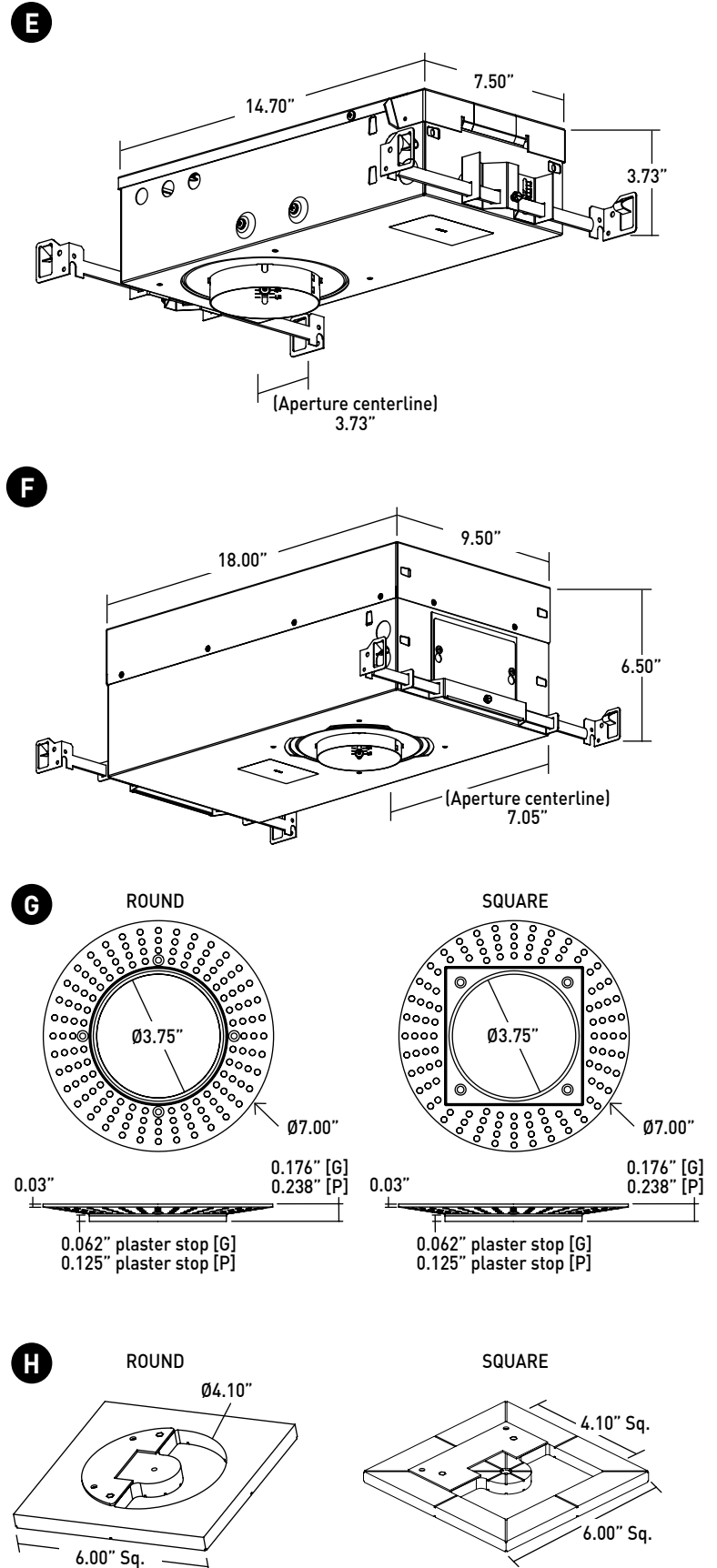
- AT install type is required for CCEA, Airtight and Title 24 (JA8) applications.
- Do not install in environments where ambient temperatures exceed 40°C (104°F).
- Power supply compartment and all splice connections may be serviced from room side.
- Consult factory for spacing requirements for any installations exceeding R-Value 60.
- Hanger bars fitted to short side of housing, and long side of Low Flux housings; extend from 14.0" to 24.0", but may be field cut to accommodate narrow stud spacing.
- Hanger bars and brackets add 4.00" to the overall dimension, but are exclusive of the setback requirements.
- Driver assembly ships with trim, not housing. Housing and trim feature mating quick-connect plugs for ease of installation.

ZERO-SIGHTLINE INSTALLATIONS

Zero-Sightline installations available for Dry / Damp location fixtures only. When installed according to manufacturer's instructions and ceiling conditions are met, fixture is flush with the ceiling plane. Consult 2-Series Installation Guidelines for appropriate ceiling cutouts and instructions for proper Zero-Sightline installations.

- G APPLIQUÉ**
 - Specified on Flange Configuration and ships with housing; ships separately on remodel installations.
 - For use in sheetrock ceiling applications.
 - 1/16" Appliqué (G Flange Configuration) recommended for gypsum ceiling installations and has plaster stop thickness of 1/16".
 - Recommended for painted ceiling applications.
 - 1/8" Appliqué (P Flange Configuration) offers double thick plaster stop of 1/8" where a heavier application of mud is preferred. Recommended for colorfast and venetian plaster applications.
 - Not recommended for stucco applications.
- H ROUTER TOOL GUIDE**
 - Specified separately and used with Flange Overlay configurations.
 - For use in wood ceiling applications.
 - DLA-RTG-2S-RD** or **DLA-RTG-2S-SQ** required for wood Zero-Sightline ceiling installations.
 - Router tool guide is reusable and suitable for multiple fixtures.

DIMENSIONS / DRAWINGS



2 SERIES HAL WALLWASH

TECHNICAL

CONSTRUCTION

Downlight: Steel and aluminum; Painted finishes are granulated powder coat.

Trim Adaptor: High impact composite and stainless steel.

Housing: Steel and aluminum.

Appliqué: Zinc alloy.

LAMP

MR-16 halogen and LED; 12-volt GU5.3 base and line / mains GU10 base. To ensure optimal results, it is recommended to specify lamps supplied by Lucifer Lighting. Note: MR-16 LED lamps, other than those listed, must be independently confirmed as compatible by the corresponding lamp manufacturer. Consult factory for assistance.

DIMMING PROTOCOL

Best achieved using a corresponding reverse phase control for power supplies designated EZ2" outfitted with electronic transformers and a forward phase control for power supplies designated "QT2" outfitted with toroid magnetic transformers. Compatibility and performance may vary between controls and applied loads.

WARNING: PHASE ADAPTIVE DIMMING MUST BE LOCKED AS FORWARD PHASE TO AVOID CATASTROPHIC FAILURE OF TOROID TRANSFORMERS0.

SPACING

Recommended fixture spacing is 36 on center with 36 setback from wall plane.

LISTING

cTUVus listed to UL1598 Dry / Damp and Wet locations. CCEA, Airtight and Title 24 JA8-2019 Listed.

TITLE 24 JA8-2019 COMPLIANCE

Fixtures outfitted with any Vivid Series Sora lamp (7.5W or 9W) are approved for TL24 JA8-2019.

WEIGHT

Trim - 1.6 lbs max

NON-IC Housing - 4.2 lbs

IC Housing - 7.4 lbs

LIMITED WARRANTY

Manufacturer's 1-year warranty, from the date of shipment by Seller, on all Lucifer Lighting provided system components. Consult website for full warranty terms and conditions. Lamps not covered under warranty.